

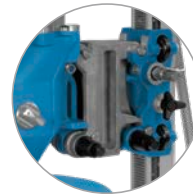


# Modular hydraulic drilling gearbox DGB1000

Core drilling up to Ø 1 000 mm



Optimised drill bit attachment for large bore drilling



ModulDrill™ quick change clamping system for quick, easy and safe attachment



Bores with a diameter of up to 1 000 mm with Modul-Drill™ distance plates

In accordance with the TYROLIT modularity principle, the DGB1000 delivers optimum rotational speeds and impressive performance in

conjunction with either the electric high-frequency motor or hydraulic standard motor options, by means of 8 transmission stages – two speeds

at the drilling gear box and up to four stages via the relevant drive. With optimised drill bit attachment for large diameters and high torques.

## Technical data

### Modular drilling gearbox

Output	20 kW / 25 kW
Drill diameter range with DRA500	150–500 mm
Drill diameter range with BC-2	150–1 000 mm

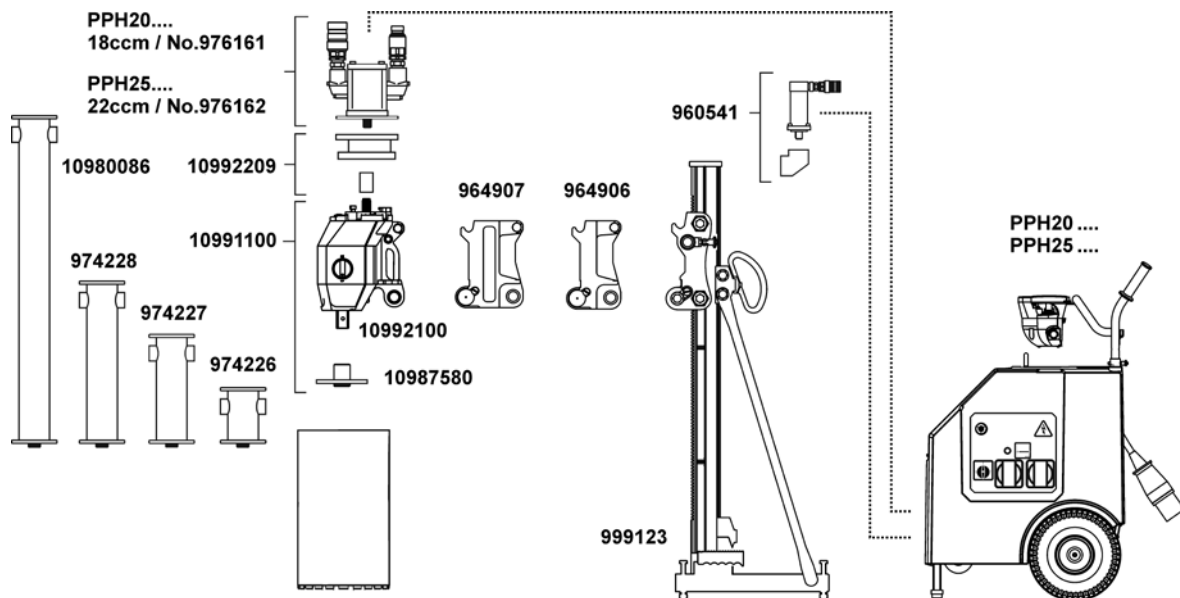
### Design

2-stage gearbox
Special large hole flange
ModulDrill™ quick change clamping system

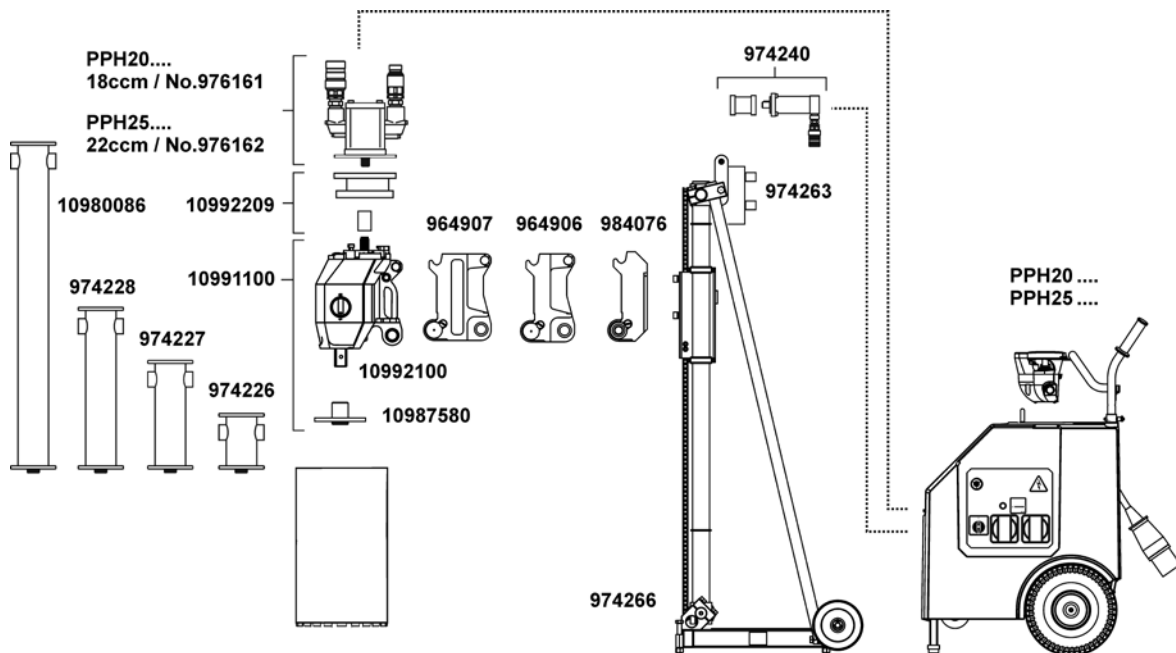
### Dimensions & weight

Length	338 mm
Width	213 mm
Height	226 mm
Weight	15.7 kg

# System recommendation



Core drilling system hydraulic from Ø 150 mm to Ø 500 mm



Core drilling system hydraulic from Ø 150 mm to Ø 1 000 mm