

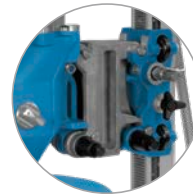


Modular hydraulic drilling gearbox DGB1000

Core drilling up to Ø 1 000 mm



Optimised drill bit attachment for large bore drilling



ModulDrill™ quick change clamping system for quick, easy and safe attachment



Bores with a diameter of up to 1 000 mm with Modul-Drill™ distance plates

In accordance with the TYROLIT modularity principle, the DGB1000 delivers optimum rotational speeds and impressive performance in

conjunction with either the electric high-frequency motor or hydraulic standard motor options, by means of 8 transmission stages – two speeds

at the drilling gear box and up to four stages via the relevant drive. With optimised drill bit attachment for large diameters and high torques.

Technical data

Modular drilling gearbox

Output	20 kW / 25 kW
Drill diameter range with DRA500	150–500 mm
Drill diameter range with BC-2	150–1 000 mm

Design

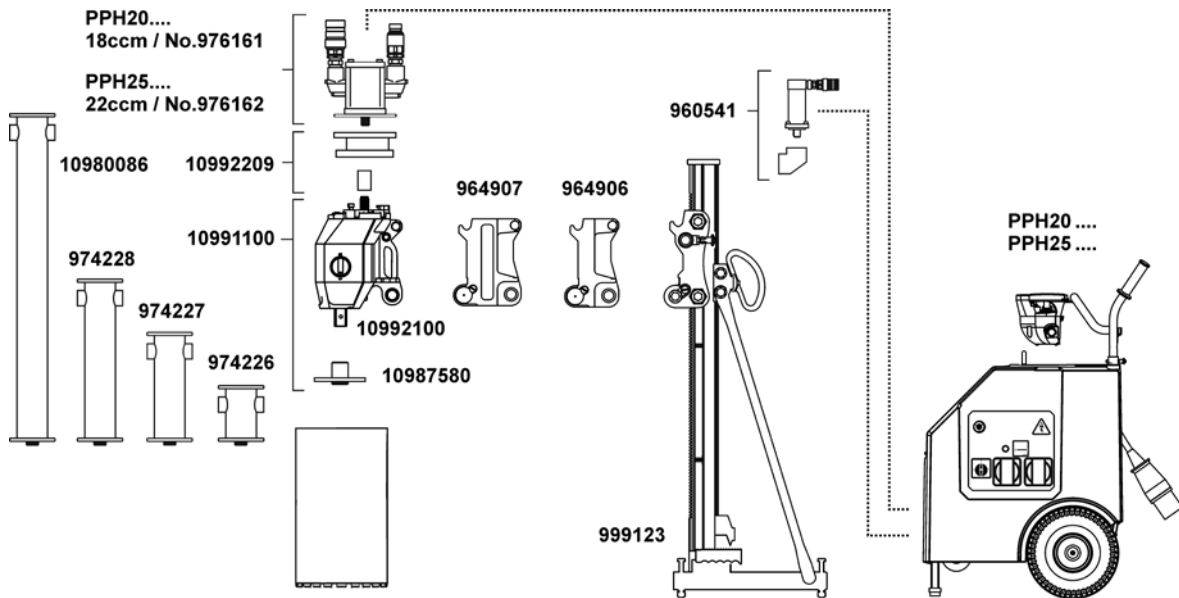
2-stage gearbox
Special large hole flange
ModulDrill™ quick change clamping system

Dimensions & weight

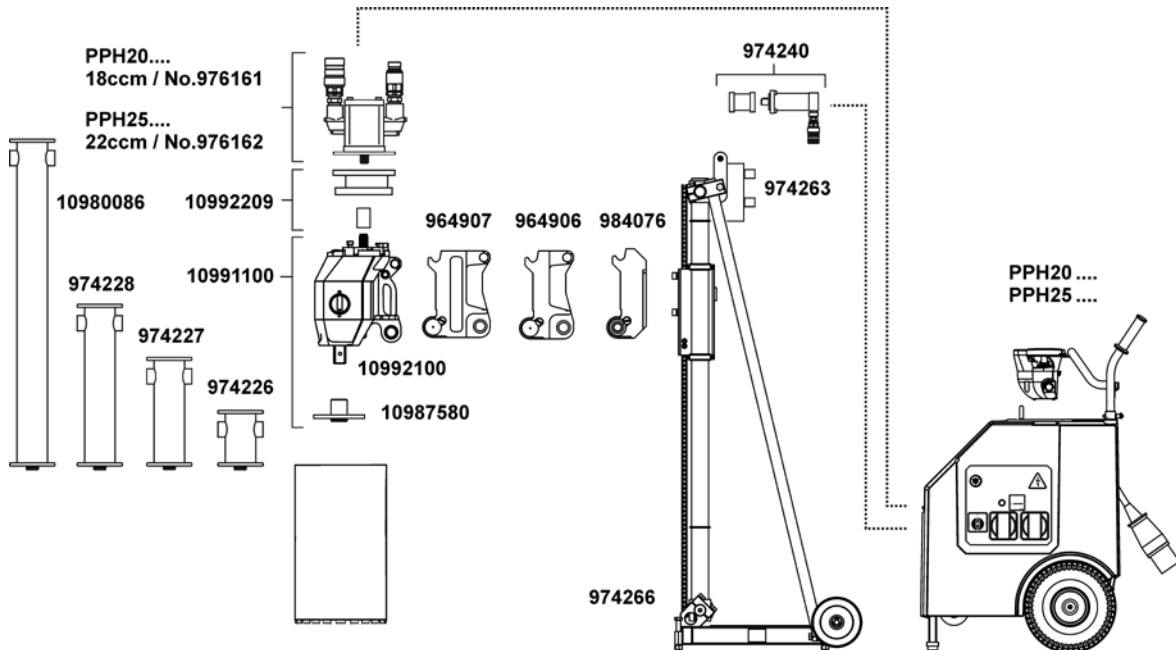
Length	338 mm
Width	213 mm
Height	226 mm
Weight	15.7 kg



System recommendation



Core drilling system hydraulic from Ø 150 mm to Ø 500 mm



Core drilling system hydraulic from Ø 150 mm to Ø 1 000 mm